

HERCULES HOISTS LIMITED



Electric Chain Hoist Medium Duty Baby (EH II) Series

- ◆ Lifting
- ◆ Moving
- ◆ Storing



- ▶ **Capacities up to 2T**
Suitable for medium duty application
- ▶ **Rugged German design and proven over 30 years**
Assured reliability
- ▶ **Built with conical rotor brake motor**
Proven technology ensuring motor start / brake release and motor switch-off / brake application are synchronised
- ▶ **Fail safe brake**
Advantage of conical rotor motor
- ▶ **Precision machine case hardened, alloy steel gears**
Long life with low noise operation
- ▶ **Light weight, simple mounting design**
Easy to install, use, re-install
- ▶ **Built in control panel**
Plug and use
- ▶ **Precision machined and hardened load chain wheel**
Long life of load chain wheel and smooth operation
- ▶ **Grade 80 load chain**
Higher safety factor and longer chain life
- ▶ **Hoist and Electric Control Design available for hazardous area application**
Extended application capability

Material Handling. Delivered.

Redefining Material Handling. Since 1962.

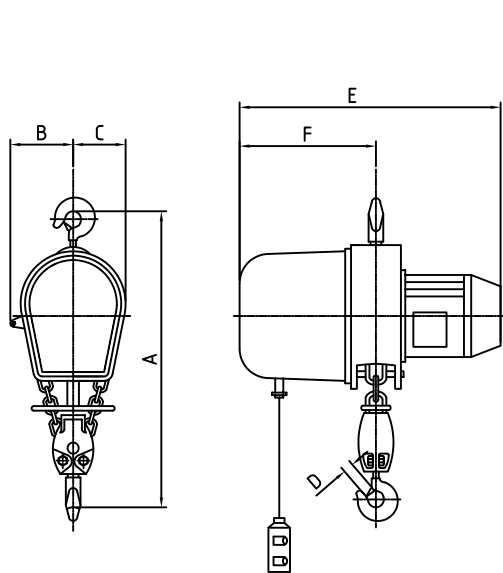


Fig. 1

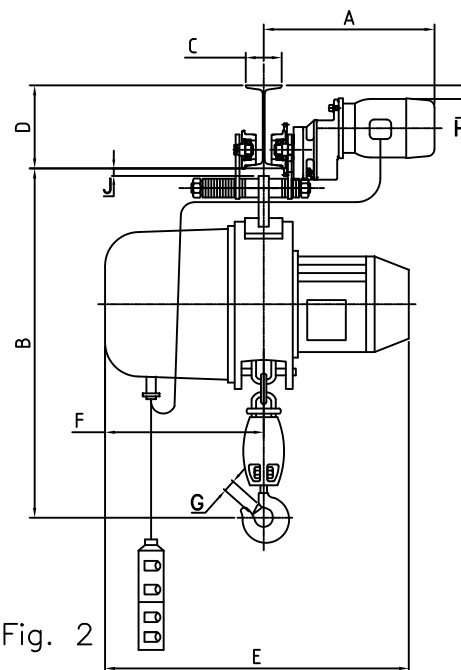


Fig. 2

"BABY" with hook suspension (Fig. 1)						
Capacity	MT	1	2		1	2
Chain falls	No.	2	4	A	750	860
Hoisting speed	m/mn	4.8	2.4	B	150	150
Hoist Motor	H.P.	1.5	1.5	C	120	120
*Height of max. lift (Std. 3m)	m	9.6	4.8	D	31	37
Length of control cable	m	At your choice		E	525	525
Approx. wt. with chains for 3m. lift	kg.	63	65	F	285	285
Approx. wt. per meter additional lift	kg.	2.6	5.2			

*Higher lifts offered on request

"BABY" with electric trolley (Fig. 2)						
Capacity	MT	1	2		1	2
Travelling speed	m/min.	10	10	A for C Max	493	500
Travelling motor	H.P.	0.5	0.5	A for C Min..	370	395
Min. runaway bend (radius of curvature)	mm	2000	2500	B	840	965
				C Max.	305	305
				C Min.	58	90
				D Min.	150	200
Approx. wt. with chains for 3m. lift	kg.	87	96	E	525	525
				F	285	285
Approx. wt. per meter additional lift	kg.	2.6	5.2	G	31	37
				H Min.	23	14
				*J Max.	28	28

*To calculate clearance under beam subtract beam flange thickness from 'J'

Data tolerance ±10%

HHL / Baby / 2016 02



HERCULES HOISTS LIMITED

43/2B, Savroli-Kharpada Road, Dhamani, Khalapur - 410 202, Maharashtra, India
 Regional offices: Chennai | Kolkata | New Delhi | Pune
 Tel : +91 (0)2192 662555 | Fax: +91 (0) 2192 662504
 www.indef.com | indef@indef.com

Note :- Due to continuous development and improvement specification listed above may be changed without notice.