

HERCULES HOISTS LIMITED



Chain Pulley Block
With Triple Spur Gear
P Series

- ◆ Lifting
- ◆ Moving
- ◆ Storing

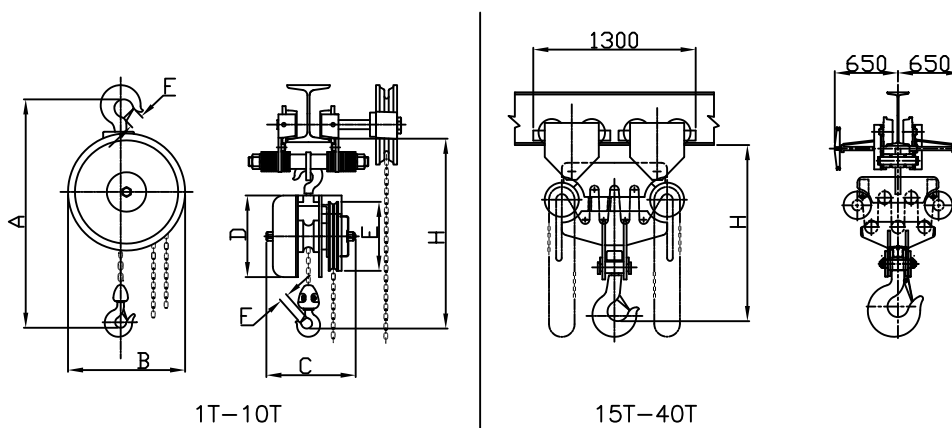


- ▶ **CE & ISI Certified Chain Pulley Blocks**
Assured quality
- ▶ **Tested for 50% overload**
Assured safety
- ▶ **Rugged German design, proven over 30 years**
Assured reliability
- ▶ **Grade 80 load chain and Zinc plated hand chain**
Longer chain life
- ▶ **Double ball bearing supported load wheel**
Smooth operation
- ▶ **Precision machine case hardened alloy steel gears**
Long life, noiseless operations
- ▶ **Fully pocketed, Spheroidal Graphite cast load chain wheel**
Long life, safe and smooth running
- ▶ **Anti-corrosive power coated zinc plated parts**
Superior aesthetics and rust protected

Material Handling. Delivered.

Redefining Material Handling. Since 1962.

www.indef.com



CAPACITY(T)	MT	1T	2T	3T	5T	7.5T	10T	15T	20T	25T	30T	40T
No. of falls		1	2	1	2	3	4	6	8	10	12	16
Chain Size Dia.	mm	8	8	12	9	9	12	12	12	12	12	12
Running pull on hand chain	Kgs.	26	28	55	49	50	61	50	54X2	70X2	54X4	62X4
Weight at 3 metre lift (approx) Hook Susp.	Kgs.	21	30	50	60	88	126	715	755	840	1000	1250
Extra weight per additional meterlift (approx)	Kgs.	2.9	4.3	2.6	5.2	7.0	14.4	22	28.5	37	40	47

CAPACITY MT	A	B	C	D	E	F	H With Trolley	Thrust bearing in bottom block H
1T	460	210	180	210	195	31	550	580
2T	560	240	180	210	195	37	665	760
3T	750	240	200	210	195	42	950	950
5T	810	320	225	275	270	51	885	1010
7.5T	910	455	225	275	270	75	1017	1135
10T	990	515	225	275	270	75	1120	1240
15T	1790	-	-	-	-	95	1300	1300
20T	1790	-	-	-	-	95	1300	1300
25T	2000	-	-	-	-	95	1350	1350
30T	2070	-	-	-	-	155	1700	1700
40T	2200	-	-	-	-	168	1700	1700

Data tolerance ±10%

HHL / Indef P / 2016 02



HERCULES HOISTS LIMITED

43/2B, Savroli-Kharpada Road, Dhamani, Khalapur - 410 202, Maharashtra, India
 Regional offices: Chennai | Kolkata | New Delhi | Pune
 Tel : +91 (0)2192 662555 | Fax: +91 (0) 2192 662504
 www.indef.com | indef@indef.com

Note :- Due to continuous development and improvement specification listed above may be changed without notice.